

Bubble Tubing™



CANADIANPOND.CA PRODUCTS LTD

1-1/4" Flexible Linear Diffuser Tubing



1-1/4" Weighted
BUBBLE TUBING™

Bubble Tubing™ creates a strong bubble curtain along its entire length, setting industry standards in water circulation, de-icing, bubble curtains and aeration.

Bubble curtains are used as subsurface barriers to aquatic life movement and to attenuate shock wave impact caused by blasting or pile driving.

1-1/4" Bubble Tubing™ (1.325" I.D.) is bonded to a PVC ballast with a stainless steel core that facilitates deployment and installation with secure anchoring. Industrially designed and manufactured in Canada, it is reliable, low maintenance, long-lasting and resistant to a wide range of salinities, chemicals and temperature conditions.

Industries:

- MUNICIPALITIES
- EXTRACTION INDUSTRIES
- MANUFACTURING AND PROCESSING
- PORT AUTHORITIES
- AQUACULTURE
- AGRICULTURE

Applications:

- DE-ICING
- WASTEWATER AERATION
- WATER QUALITY—CLARITY, ALGAE AND ODOUR SUPPRESSION
- EFFICIENT BOTTOM-TO-TOP WATER CIRCULATION
- UNDERWATER BARRIERS TO AQUATIC LIFE
- SOUND AND SHOCK WAVE CUSHIONING

Technical Information

Bubble Tube:	PVC (formulated for flexibility) I.D. 1.325" / O.D. 1.470" Perforation: 12 holes/foot (BUB125-12) or 24 holes/foot (BUB125-24) 2mm diameter hole size
Ballast:	PVC (formulated for flexibility) O.D. 1.17" Embedded stainless steel cable (0.375" diameter)
Reel size:	Up to 250m (825')
Weight:	1.5kg/m (11lb/ft) *For self-sinking installation, add 3kg/m (2 lb/ft)
Airflow¹:	If using a full reel of 250m (825'): 0.07 - 0.2 cfm/ft (390 - 1 122 l/hr/m) If using lengths of 100m (330') or less: 0.2 - 0.6 cfm/ft (1 122 - 3 360 l/hr/m)
Pressure²:	Minimum 25 psi (1.7 bar) Maximum 50 psi (3.4 bar)
Check Valves:	Are recommended to limit water infiltration during inactivity and to assist compressor in purging line when starting.
Anchoring:	Suggest clamping to cement blocks spaced along its length

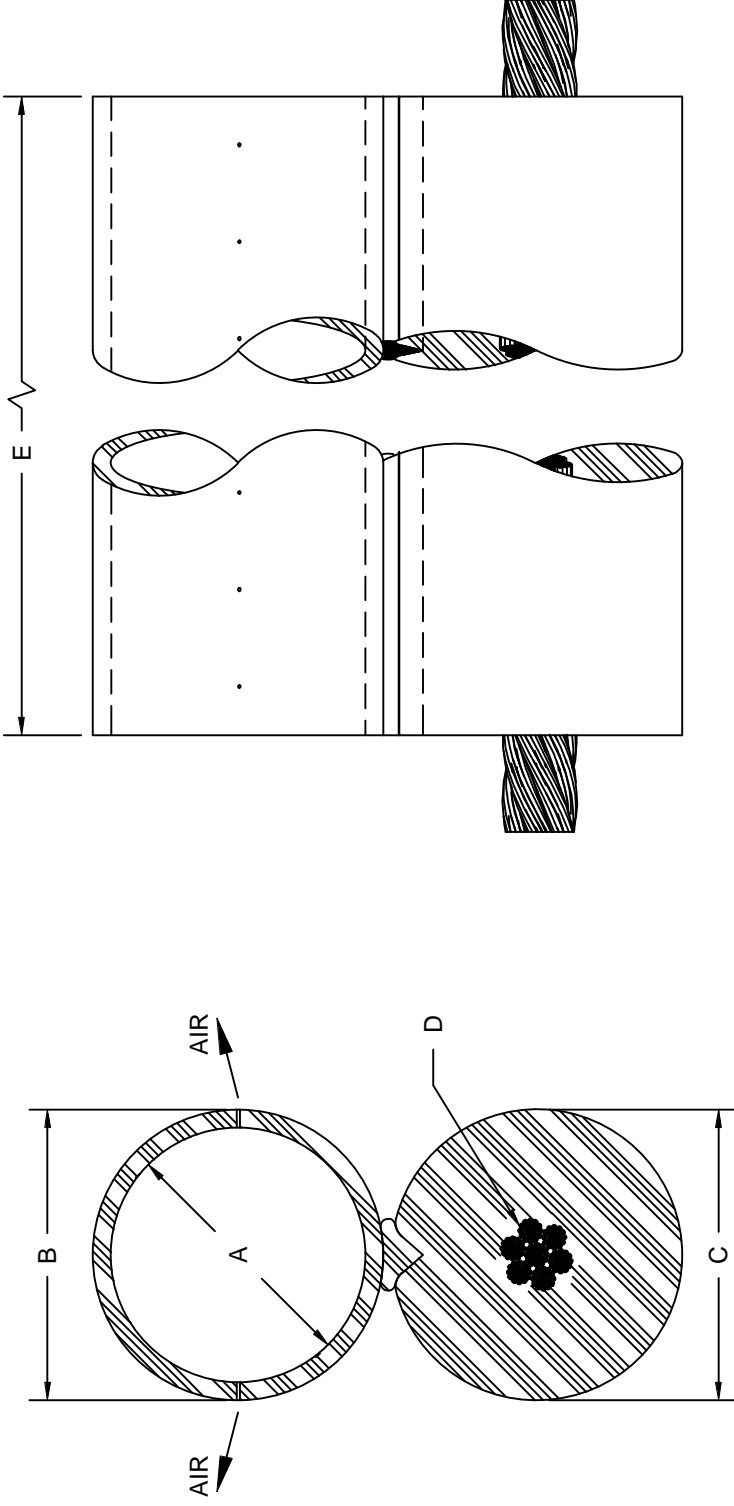
Handling Considerations

PVC is reasonably flexible under normal working conditions. However, when the temperature of the material is below about minus 10°C (14°F) it becomes brittle and can crack under certain bending conditions. Ideally, Bubble Tubing should be uncoiled only when the material is warm – over 10°C (50°F). For installation in cold conditions, tubing can be warmed by running lukewarm water through it.³

¹ The newest (and largest) size, 1-1/4" Bubble Tubing™ is yet to be performance-rated. Estimates are extrapolated from independent test results (and extensive field experience) for the next closest size – 3/4" Bubble Tubing™.

² Indicated air supply pressures are in addition to the water pressure at the **minimum** operating depth.

³ Bubble Tubing™ is not adversely affected by its submergence in icy water.



CODE	BUBBLE-TUBING™	TUBING I.D.			TUBING O.D.			BALLAST O.D.			WIRE CABLE*			AVAILABLE LENGTHS		
		MIN.	MAX.**		MIN.	MAX.**		MIN.	MAX.**		MIN.	MAX.**		MIN.	MAX.**	
BUB12NW	1/2 (15MM) NON-WEIGHTED	20 PSI (1.4 BAR)	50 PSI (3.4 BAR)	0.575" (14.6 MM)	0.700" (17.8 MM)	0.970" (24.6 MM)	0.700" (17.8 MM)	0.970" (24.6 MM)	100' (30.5M), 200' (60M), 400' (122M)	100' (30.5M), 200' (60M), 400' (122M)	100' (30.5M), 300' (91.4M)					
BUB12	1/2 (15MM) WEIGHTED	20 PSI (1.4 BAR)	50 PSI (3.4 BAR)	0.575" (14.6 MM)	0.700" (17.8 MM)	0.970" (24.6 MM)	0.700" (17.8 MM)	0.970" (24.6 MM)	100' (30.5M), 200' (60M), 400' (122M)	100' (30.5M), 200' (60M), 400' (122M)	100' (30.5M), 300' (91.4M)					
BUB34NW	3/4 (20MM) NON-WEIGHTED	20 PSI (1.4 BAR)	50 PSI (3.4 BAR)	0.825" (21 MM)	1.013" (25.7 MM)	1.170" (29.7 MM)	1.013" (25.7 MM)	1.170" (29.7 MM)	200' (61M), 400' (122M)	200' (61M), 400' (122M)	600' (182.8 M)					
BUB34	3/4 (20MM) WEIGHTED	20 PSI (1.4 BAR)	50 PSI (3.4 BAR)	0.825" (21 MM)	1.013" (25.7 MM)	1.170" (29.7 MM)	1.013" (25.7 MM)	1.170" (29.7 MM)	200' (61M), 400' (122M)	200' (61M), 400' (122M)	600' (182.8 M)					
BUB1.0	1" (25MM) WEIGHTED	20 PSI (1.4 BAR)	70 PSI (4.8 BAR)	1.075" (27.3 MM)	1.2" (30.5 MM)	1.550" (39.4 MM)	1.2" (30.5 MM)	1.550" (39.4 MM)	600' (182.8 M)	600' (182.8 M)	825' (250M)					
BUB1.25	1-1/4 (30MM)	20 PSI (1.4 BAR)	70 PSI (4.8 BAR)	1.325" (33.7 MM)	1.513" (38.4 MM)	1.170" (29.7 MM)	1.513" (38.4 MM)	1.170" (29.7 MM)	825' (250M)	825' (250M)						

**7-19 STRAND CORE (SS-316)

CODE	BUBBLE-TUBING™	PRESSURE		AIR FLOW		AIR FLOW		WEIGHT	
		MIN.	MAX.**	AÉRATION / AERATION	DE-ICING - BUBBLE WALL	AIR FLOW	BUBBLE WALL	AIR FLOW	WEIGHT
BUB12NW	1/2 (15MM) NON-WEIGHTED	20 PSI (1.4 BAR)	50 PSI (3.4 BAR)	0.05 - 0.17 CFM / ft (4.62 - 15.8 LPM/m)	max: 0.17 CFM / ft (15.8 LPM/m)	0.1 lb/ft (0.15 kg/m)		0.17 CFM / ft (15.8 LPM/m)	0.1 lb/ft (0.15 kg/m)
BUB12	1/2 (15MM) WEIGHTED	20 PSI (1.4 BAR)	50 PSI (3.4 BAR)	0.05 - 0.17 CFM / ft (4.62 - 15.8 LPM/m)	max: 0.17 CFM / ft (15.8 LPM/m)	0.6 lb/ft (0.9 kg/m)		0.17 CFM / ft (15.8 LPM/m)	0.6 lb/ft (0.9 kg/m)
BUB34NW	3/4 (20MM) NON-WEIGHTED	20 PSI (1.4 BAR)	50 PSI (3.4 BAR)	0.065 - 0.12 CFM / ft (6.07 - 11.2 LPM/m)	max: 0.12 CFM / ft (23.2 LPM/m)	0.2 lb/ft (0.30 kg/m)		0.25 CFM / ft (23.2 LPM/m)	0.2 lb/ft (0.30 kg/m)
BUB34	3/4 (20MM) WEIGHTED	20 PSI (1.4 BAR)	50 PSI (3.4 BAR)	0.065 - 0.12 CFM / ft (6.07 - 11.2 LPM/m)	max: 0.12 CFM / ft (23.2 LPM/m)	1.0 lb/ft (1.5 kg/m)		0.25 CFM / ft (23.2 LPM/m)	1.0 lb/ft (1.5 kg/m)
BUB1.0	1" (25MM) WEIGHTED	20 PSI (1.4 BAR)	70 PSI (4.8 BAR)	N/A	N/A	1.25 lb/ft (1.8 kg/m)		0.25 CFM / ft (23.2 LPM/m)	1.25 lb/ft (1.8 kg/m)
BUB1.25	1-1/4 (30MM)	20 PSI (1.4 BAR)	70 PSI (4.8 BAR)	N/A	N/A	1.5 lb/ft (2.2 kg/m)		UPON REQUEST	1.5 lb/ft (2.2 kg/m)

**MAXIMUM BACK PRESSURE READING NOT TO EXCEED DURING OPERATION



Canadianpond.ca

DESIGNER / DRAWN BY:	D. MARTIN	DATE:	03-10-2015
APPROVED BY:	M. PARIS		

TOUTE INFORMATION CONTENUE DANS CE DOCUMENT EST LA PROPRIÉTÉ EXCLUSIVE DE PRODUITS ETANG.CA LTÉE. TOUTE REPRODUCTION PARTIELLE OU ENTIÈRE EST STRICTEMENT INTERDITE SANS AU PRÉALABLE AVOIR REÇU L'AUTORISATION ÉCRITE DE PRODUITS ETANG.CA LTÉE.
 ALL INFORMATION CONTAINED IN THIS DOCUMENT IS PROPRIETARY TO CANADIAN POND.CA PRODUCTS LTD. DUPLICATION OR TRANSMITTAL OF THIS DOCUMENT IS STRICTLY PROHIBITED WITHOUT THE WRITTEN CONSENT OF CANADIANPOND.CA PRODUCTS LTD.

Bubble  Tubing

513 KNOXWILTON ROAD, KNOXWILTON, QUÉBEC, J0E 1W0, TEL.: 450-243-0976, FAX: 450-243-1834